

4 K SLIM (100 KRS WOOFER KIT)

4''K2 Power® woofer

- Extra slim 39 mm
- Zamak basket
- Aluminium phase plug
- Neodymium magnet



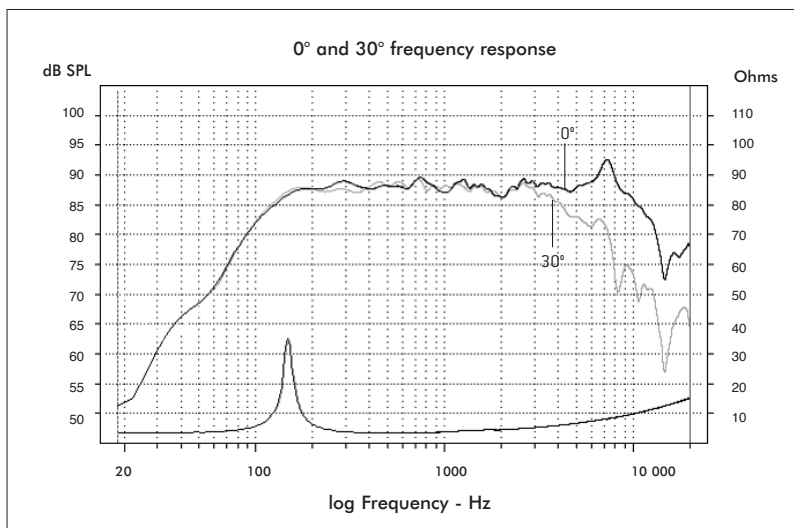
Specifications

Nominal power	50 W	
Maximum power	100 W	
Sensitivity	90 dB	
Cone	K2 Composite Sandwich*	
Surround	Butyl	
Nom. impedance	4 ohms	
DC resistance	3.2 ohms	
VC diameter	25 mm	0.98 in
VC height	8.5 mm	0.33 in
Former	Kapton®	
Layers	2	
Wire	Copper	
Inductance	0,26 mH	
Xmax	2.5 mm	0.10 in
Magnet (d x h)	-	-
Magnet weight	-	-
Flux density	0.9 T	
Gap height	3 mm	0.11 in
Net weight	0.35 kg	0.77 lb

Parameters

Fs	140.6 Hz
Vas	1.13 l
Qts	0.872
Qes	0.96
Qms	9.55
Re (in parallel)	3.2 ohms
Sd	55.42 cm ²
Cas	8.04E-09 m ⁵ /N
Mas	159.23 kg/m ⁴
Ras	14733.21 ohms.ac
Cms	2.62E-4 m/N
Mms	4.89 g
Rms	452 g/s
Ces	339.49 mF
Les	3.77 mH
Res	31.83 ohms
Bl	3.8 N/A
SPL	87 dB/W/m

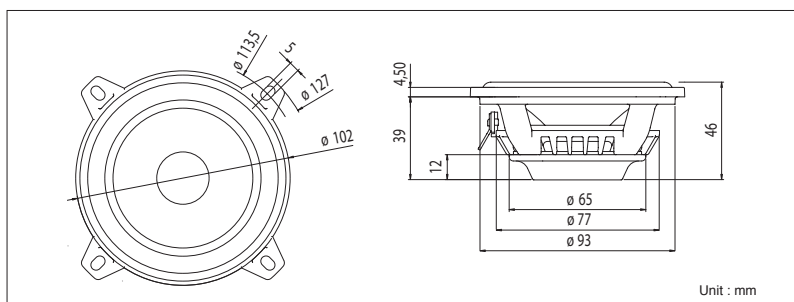
Frequency response / Impedance



Suggested application

Load	V (l)	FB (Hz)	F-3 (Hz)	Q1
Sealed	30	-	120	7

Mechanical Drawing



Focal® is a trademark of Focal-JMlab® - BP 374 - 108, rue de l'Avenir - 42353 La Taubaudière cedex France - Tel. 33 00 4 77 43 57 00 - Fax 33 00 4 77 37 65 87 - www.focal-fr.com - SCAZ071127/1

